

**MATERIAL:**

CYLINDER: STEEL  
OPERATING HEAD : ALUMINIUM WITH CATAPHORESE

**COATING:**

PLUG: BLACK  
CYLINDER: POLYESTER COATING  
RED RAL 3000 IN COMPLIANCE WITH ISO 2409

FIRE RATING : 27 A – 233B  
CO2 CARTRIDGE SIZE : 60 g  
CAPACITY : 9 l  
MIN DISCHARGE TIME : 43 s  
DISCHARGE RANGE : 4 m  
TEST PRESSURE : 26 bar  
WORKING PRESSURE : 11.2 bar  
CLASS : A B  
DESIGN STANDARD : APPROVAL EN3-7 A1/ EN 3-8, MED, PED  
CCS; RMRS

**WEIGHT:**

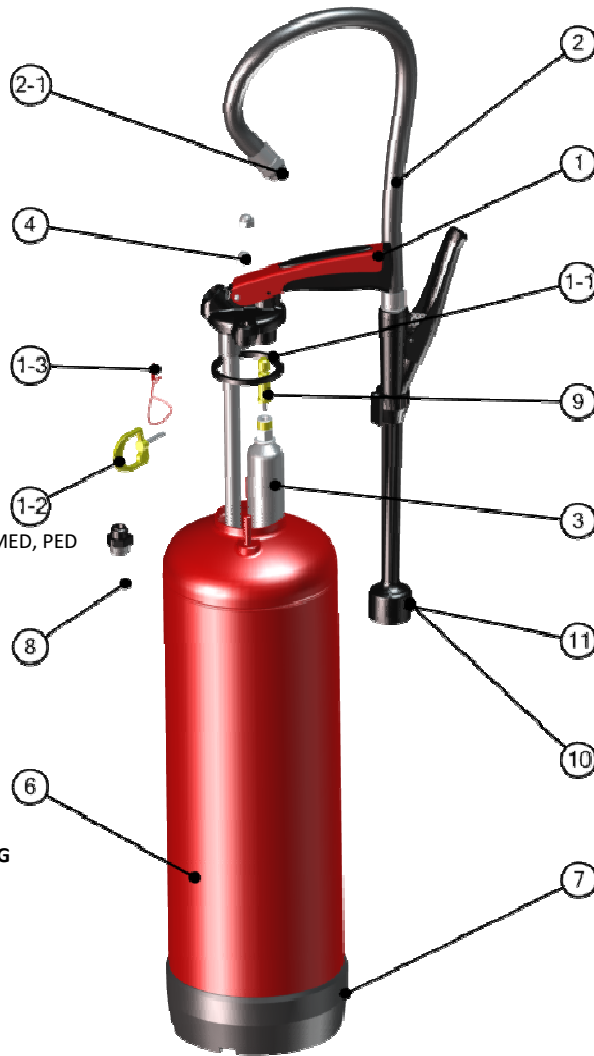
EMPTY WITH CARTRIDGE: 6 kg  
FULL : 15 kg

TEMPERATURE OF USE : +5°C and +60°C

**DELIVERED FILLED WITH WATER**

**USE ON VOLTAGE OVER 1000V. UP TO 35 Kv ACCORDING TO LABEL INSTRUCTION ON FIRE EXTINGUISHER**

**CARTRIDGE MUST BE RENEWED AFTER 10 YEARS**



Immediately recharge after use, even in case of partial use.  
Check regularly for maintenance or recharging, only use products and spare parts corresponding to the certified model.

• EXTINGUISHING AGENT: 6,910 mm water = 0,09 mm additive EX 1 or Compact or RED 225 in cartridge.

• PROPULSION AGENT: 60 g CO<sub>2</sub>

• TYPE: E9A1EV  
Group 2  
PS: 180 bar - V: 11 liters

• APPROVAL: Tested and approved according to EN3

• LIMIT OPERATIONAL TEMPERATURES: + 5°C and + 60°C  
Keep from freezing

CE  
MED 005  
2690  
PED 138  
0062

**survitec**

**FIRE EXTINGUISHER**

9 l AFFF FOAM  
27A 233B

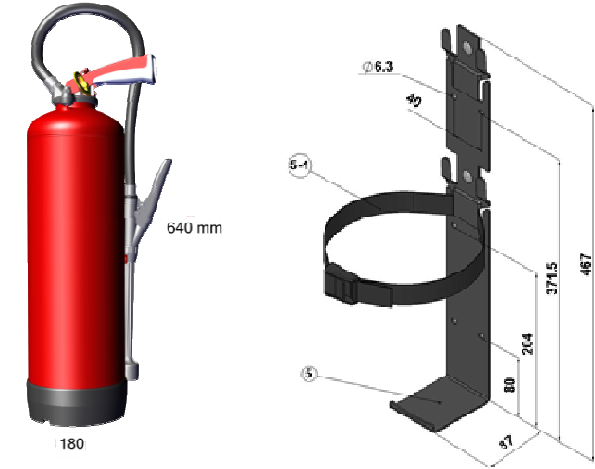
1. Remove safety pin  
2. Press down on operating lever  
3. Squeeze trigger and point the spray at base of flames

Avoid any direct contact of the nozzle with electrical conductors. In case of use on voltage under 1000 V, keep nozzle at a minimum distance of 0.5 m. This fire extinguisher is compatible to use on voltage over 1000V by authorized staff according to regulations in force, provided that following distances are respected:

- Up to 20 kV : keep nozzle at minimum distance of 1 m.
- From 20 kV to 35 kV : keep nozzle at minimum distance of 2 m.

**E9A1EV**

Survitec Group Limited  
1-5 Beaufort Road - Internead, Monopole, UK CH11 1HD  
Tel: +44 151 6555650, Email: info@survitecgroup.com  
Website: www.survitecgroup.com  
Produced by DeWand - France



TYPE	PROD NO
EXTINGUISHER WITH MARINE BRACKET	766983
EXTINGUISHER WITHOUT MARINE BRACKET	766984

ITEM	NO OF	DESCRIPTION	PROD NO
12	1	CO2 cartridge cap 1000 pck (n°7) from July 2002	758599
11	1	Filter F/E9/E9A1/E9A1EV 20 Pck	671503
10	1	Spray nozzle F/E9/E9A1/E9A1EV	671511
9	1	Striking pin F/all cart. portable ext. 10 pck	671495
8	1	AFFF foam charge 90ml F/E9A1EV 1 pck	736579
7	1	Base prot. F/All cart. portable ext.	668947
6	1	Label F/E9A1EV 10 pck	757187
5-1	1	Strap F/M. bracket F/All cart. portable ext./U5C 5 pck	669655
5	1	Universal M. Bracket W/strap F/P6/P6P/P9P/P12/P12P/E9/E9A1/E9A1EV	711416
4	2	Headcap nuts M8 F/All cart. portable ext. 10 pck	667634
3	1	CO2 cartridge 60g F/E9/E9A1/E9A1EV	668178
2-1	1	O-ring F/All cart. portable ext. 10 pck	03123461
2	1	Hose W/nozzle F/E9/E9A1/E9A1EV M18	766960
1-3	1	Wire and seal F/All ext. 90 pck	667600
1-2	1	Safety pin yellow F/All cart. portable ext. 10 pck	667592
1-1	1	Valve seal F/P25/P25P/All cart. portable ext. 25 pck	667584
1	1	Headcap w/o hose F/E9A1EV w/o cartridge M18	766962



02	Drawn by/date MB 02/05/2018
	Issued by/date MB 02/05/2018
Rev no.	Approved by/date

Main product group or System

**SURVITEC PORTABLE FIRE FIGHTING EQUIPMENT**

Product

**FOAM EXTINGUISHER 9L MODEL E9A1EV M18**

Product no. See Table

Data sheet no. **29-00-113**